

FN 123400

Freezer
Морозильник

BEKO

Please read this manual first!

Dear Customer,

We hope that your product, which has been produced in modern plants and checked under the most meticulous quality control procedures, will provide you an effective service.

For this, we recommend you to carefully read the entire manual of your product before using it and keep it at hand for future references.




This manual

- Will help you use your appliance in a fast and safe way.
- Read the manual before installing and operating your product.
- Follow the instructions, especially those for safety.
- Keep the manual in an easily accessible place as you may need it later.
- Besides, read also the other documents provided with your product.

Please note that this manual may be valid for other models as well.

Symbols and their descriptions

This instruction manual contains the following symbols:

-  Important information or useful usage tips.
-  Warning against dangerous conditions for life and property.
-  Warning against electric voltage.



This product is supplied with the selective sorting symbol for waste electrical and electronic equipment (WEEE).

This means that this product must be handled pursuant to European Directive 2002/96/EC in order to be recycled or dismantled to minimise its impact on the environment. For further information, please contact your local or regional authorities.

Electronic products not included in the selective sorting process are potentially dangerous for the environment and human health due to the presence of hazardous substances.

CONTENTS

1 Your refrigerator 3

2 Important Safety Warnings 4

Intended use	4
For products with a water dispenser; .	6
Child safety.....	6
HCA Warning	6
Things to be done for energy saving..	7
Technical specifications of your freezer	7

3 Installation 8

Points to be considered when re- transporting your refrigerator	8
Before operating your refrigerator	8
Electric connection	8
Disposing of the packaging	9
Disposing of your old refrigerator	9
Placing and Installation	9
Adjusting the legs	9

4 Preparation 10

5 Using your refrigerator 11

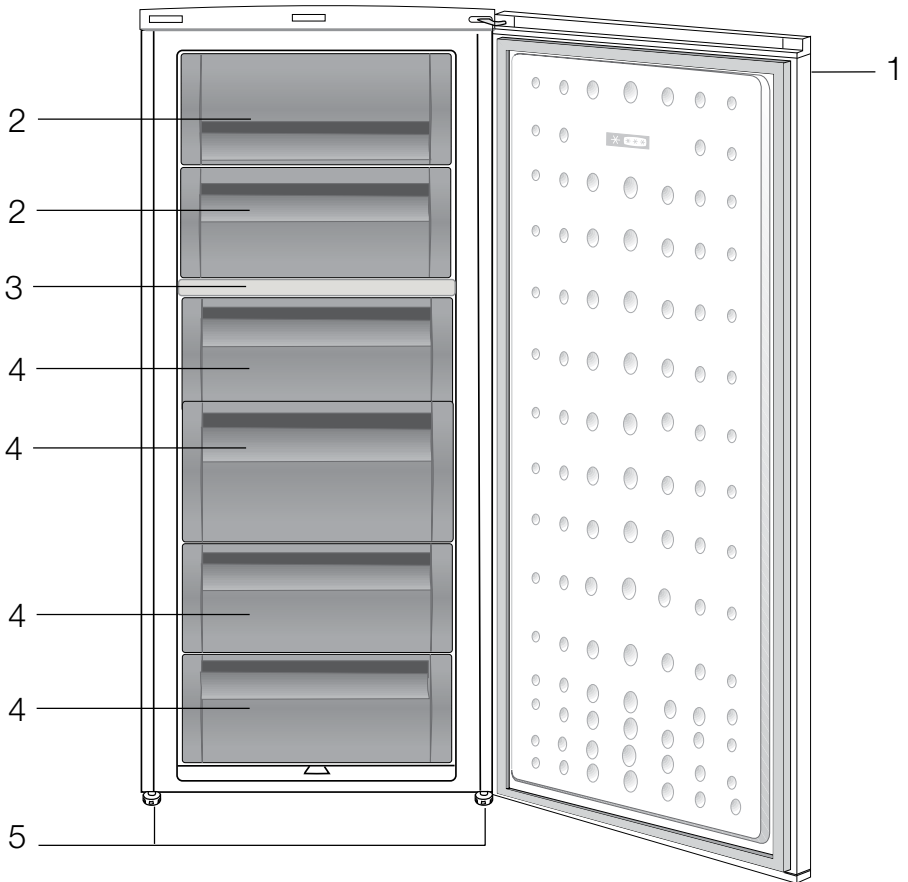
Indicator Panel.....	11
----------------------	----

6 Maintenance and cleaning 13

Protection of plastic surfaces	13
--------------------------------------	----

7 Recommended solutions for the problems 14

1 Your refrigerator



1. Control Panel
2. Flap (Fast-Freeze compartment)
3. Ice cube tray & Ice bank
4. Drawers
5. Adjustable front feet

i Figures that take place in this instruction manual are schematic and may not correspond exactly with your product. If the subject parts are not included in the product you have purchased, then it is valid for other models.

2 Important Safety Warnings

Please review the following information. Failure to observe this information may cause injuries or material damage. Otherwise, all warranty and reliability commitments will become invalid.

The usage life of the unit you purchased is 10 years. This is the period for keeping the spare parts required for the unit to operate as described.

Intended use

This product is intended to be used

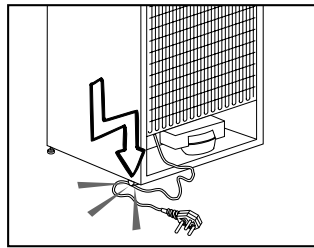
- indoors and in closed areas such as homes;
- in closed working environments such as stores and offices;
- in closed accommodation areas such as farm houses, hotels, pensions.
- This product should not be used outdoors.

General safety

- When you want to dispose/scrap the product, we recommend you to consult the authorized service in order to learn the required information and authorized bodies.
- Consult your authorized service for all your questions and problems related to the refrigerator. Do not intervene or let someone intervene to the refrigerator without notifying the authorised services.
- For products with a freezer compartment; Do not eat cone ice cream and ice cubes immediately after you take them out of the freezer compartment! (This may cause frostbite in your mouth.)
- For products with a freezer compartment; Do not put bottled and canned liquid beverages in the freezer compartment. Otherwise, these may burst.
- Do not touch frozen food by hand; they may stick to your hand.
- Unplug your refrigerator before cleaning or defrosting.
- Vapor and vaporized cleaning materials should never be used in cleaning and defrosting processes of your refrigerator. In such cases, the vapor may get in contact with the electrical parts and cause short circuit or electric shock.
- Never use the parts on your refrigerator such as the door as a means of support or step.
- Do not use electrical devices inside the refrigerator.
- Do not damage the parts, where the refrigerant is circulating, with drilling or cutting tools. The refrigerant that might blow out when the gas channels of the evaporator, pipe extensions or surface coatings are punctured causes skin irritations and eye injuries.
- Do not cover or block the ventilation holes on your refrigerator with any material.
- Electrical devices must be repaired by only authorised persons. Repairs performed by incompetent persons create a risk for the user.
- In case of any failure or during a maintenance or repair work, disconnect your refrigerator's mains supply by either turning off the relevant fuse or unplugging your

- Do not pull by the cable when pulling off the plug.
- Place the beverage with higher proofs tightly closed and vertically.
- Never store spray cans containing flammable and explosive substances in the refrigerator.
- Do not use mechanical devices or other means to accelerate the defrosting process, other than those recommended by the manufacturer.
- This product is not intended to be used by persons with physical, sensory or mental disorders or unlearned or inexperienced people (including children) unless they are attended by a person who will be responsible for their safety or who will instruct them accordingly for use of the product
- Do not operate a damaged refrigerator. Consult with the service agent if you have any concerns.
- Electrical safety of your refrigerator shall be guaranteed only if the earth system in your house complies with standards.
- Exposing the product to rain, snow, sun and wind is dangerous with respect to electrical safety.
- Contact authorized service when there is a power cable damage to avoid danger.
- Never plug the refrigerator into the wall outlet during installation. Otherwise, risk of death or serious injury may arise.
- This refrigerator is intended for only storing food items. It must not be used for any other purpose.
- Label of technical specifications is located on the left wall inside the refrigerator.

- Never connect your refrigerator to electricity-saving systems; they may damage the refrigerator.
- If there is a blue light on the refrigerator, do not look at the blue light with optical tools.
- For manually controlled refrigerators, wait for at least 5 minutes to start the refrigerator after power failure.
- This operation manual should be handed in to the new owner of the product when it is given to others.
- Avoid causing damage on power cable when transporting the refrigerator. Bending cable may cause fire. Never place heavy objects on power cable. Do not touch the plug with wet hands when plugging the product.



- Do not plug the refrigerator if the wall outlet is loose.
- Water should not be sprayed directly on inner or outer parts of the product for safety purposes.
- Do not spray substances containing inflammable gases such as propane gas near the refrigerator to avoid fire and explosion risk.
- Never place containers filled with water on top of the refrigerator, otherwise this may cause electric shock or fire.
- Do not overload your refrigerator with excessive amounts of food. If overloaded, the food items may fall

down and hurt you and damage refrigerator when you open the door. Never place objects on top of the refrigerator; otherwise, these objects may fall down when you open or close the refrigerator's door.

- As they require a precise temperature, vaccines, heat-sensitive medicine and scientific materials and etc. should not be kept in the refrigerator.
- If not to be used for a long time, refrigerator should be unplugged. A possible problem in power cable may cause fire.
- The plug's tip should be regularly cleaned; otherwise, it may cause fire.
- The plug's tip should be cleaned regularly with a dry cloth; otherwise, it may cause fire.
- Refrigerator may move if adjustable legs are not properly secured on the floor. Properly securing adjustable legs on the floor can prevent the refrigerator to move.
- When carrying the refrigerator, do not hold it from door handle. Otherwise, it may be snapped.
- When you have to place your product next to another refrigerator or freezer, the distance between devices should be at least 8cm. Otherwise, adjacent side walls may be humidified.

For products with a water dispenser;

Pressure of water mains should be minimum 1 bar. Pressure of water mains should be maximum 8 bars.

- Use only potable water.

Child safety

- If the door has a lock, the key should be kept away from reach of children.
- Children must be supervised to prevent them from tampering with the product.

HCA Warning

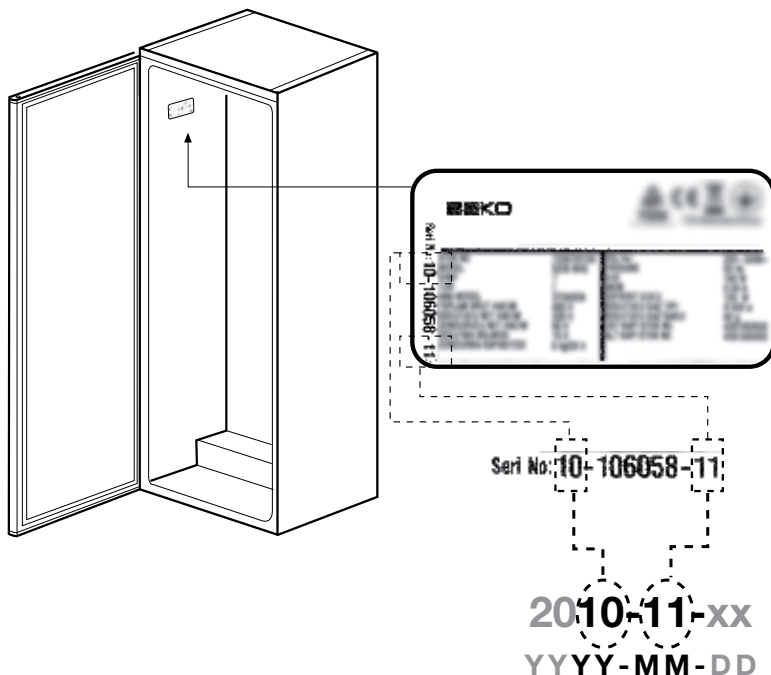
If your product's cooling system contains R600a:

This gas is flammable. Therefore, pay attention to not damaging the cooling system and piping during usage and transportation. In the event of damage, keep your product away from potential fire sources that can cause the product catch a fire and ventilate the room in which the unit is placed.

Ignore this warning if your product's cooling system contains R134a.

Type of gas used in the product is stated in the type plate which is on the left wall inside the refrigerator.

Never throw the product in fire for disposal.



Things to be done for energy saving

- Do not leave the doors of your refrigerator open for a long time.
- Do not put hot food or drinks in your refrigerator.
- Do not overload your refrigerator so that the air circulation inside of it is not prevented.
- Do not install your refrigerator under direct sunlight or near heat emitting appliances such as ovens, dishwashers or radiators.
- Pay attention to keep your food in closed containers.
- For products with a freezer compartment; You can store maximum amount of food items in the freezer when you remove the shelf or drawer of the freezer. Energy consumption value stated for your refrigerator has been determined by removing freezer shelf or drawer and under maximum load. There is no harm to use a shelf or drawer according to the shapes and size of food to be frozen.
- Thawing frozen food in fridge compartment will both provide energy saving and preserve the food quality.

Technical specifications of your freezer	
Energy efficiency class	A
Protection class	1

3 Installation

⚠ Please remember that the manufacturer shall not be held liable if the information given in the instruction manual is not observed.

Points to be considered when re-transporting your refrigerator

1. Your refrigerator must be emptied and cleaned prior to any transportation.
2. Shelves, accessories, crisper and etc. in your refrigerator must be fastened securely by adhesive tape against any jolt before repackaging.
3. Packaging must be tied with thick tapes and strong ropes and the rules of transportation printed on the package must be followed.

Please do not forget...

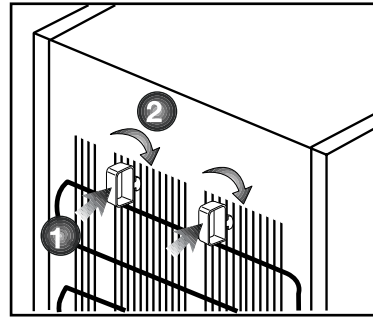
Every recycled material is an indispensable source for the nature and for our national resources.

If you wish to contribute to recycling the packaging materials, you can get further information from the environmental bodies or local authorities.

Before operating your refrigerator

Before starting to use your refrigerator check the following:

1. Is the interior of the refrigerator dry and can the air circulate freely in the rear of it?
2. Please install the 2 plastic wedges as illustrated in the figure. Plastic wedges will provide the required distance between your refrigerator and the wall in order to allow the air circulation. (The illustrated figure is only an example and does not match exactly with your product.)



3. Clean the interior of the refrigerator as recommended in the "Maintenance and cleaning" section.
4. Plug the refrigerator into the wall outlet. When the fridge door is open, the fridge compartment interior light will come on.
5. You will hear a noise as the compressor starts up. The liquid and gases sealed within the refrigeration system may also give rise to noise, even if the compressor is not running and this is quite normal.
6. Front edges of the refrigerator may feel warm. This is normal. These areas are designed to be warm to avoid condensation.

Electric connection

Connect your product to a grounded socket which is being protected by a fuse with the appropriate capacity.

Important:

- The connection must be in compliance with national regulations.
- The power cable plug must be easily accessible after installation.
- The specified voltage must be equal to your mains voltage.

- Extension cables and multiway plugs must not be used for connection.

⚠️ A damaged power cable must be replaced by a qualified electrician.

⚠️ Product must not be operated before it is repaired! There is danger of electric shock!

Disposing of the packaging

The packing materials may be dangerous for children. Keep the packing materials out of the reach of children or dispose of them by classifying them in accordance with the waste instructions. Do not dispose of them along with the normal household waste.

The packing of your refrigerator is produced from recyclable materials.

Disposing of your old refrigerator

Dispose of your old refrigerator without giving any harm to the environment.

- You may consult your authorised dealer or waste collection center of your municipality about the disposal of your refrigerator.

Before disposing of your refrigerator, cut out the electric plug and, if there are any locks on the door, make them inoperable in order to protect children against any danger.

Placing and Installation

⚠️ If the entrance door of the room where the refrigerator will be installed is not wide enough for the refrigerator to pass through, then call the authorised service to have them remove the doors of your refrigerator and pass it sideways through the door.

1. Install your refrigerator to a place that allows ease of use.

2. Keep your refrigerator away from heat sources, humid places and direct sunlight.

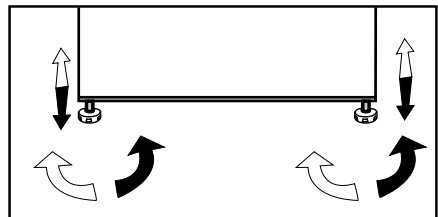
3. There must be appropriate air ventilation around your refrigerator in order to achieve an efficient operation. If the refrigerator is to be placed in a recess in the wall, there must be at least 5 cm distance with the ceiling and at least 5 cm with the wall. If the floor is covered with a carpet, your product must be elevated 2.5 cm from the floor.

4. Place your refrigerator on an even floor surface to prevent jolts.

5. Do not keep your refrigerator in ambient temperatures under 10°C.

Adjusting the legs

If your refrigerator is unbalanced; You can balance your refrigerator by turning the front legs of it as illustrated in the figure. The corner where the leg exists is lowered when you turn in the direction of black arrow and raised when you turn in the opposite direction. Taking help from someone to slightly lift the refrigerator will facilitate this process.

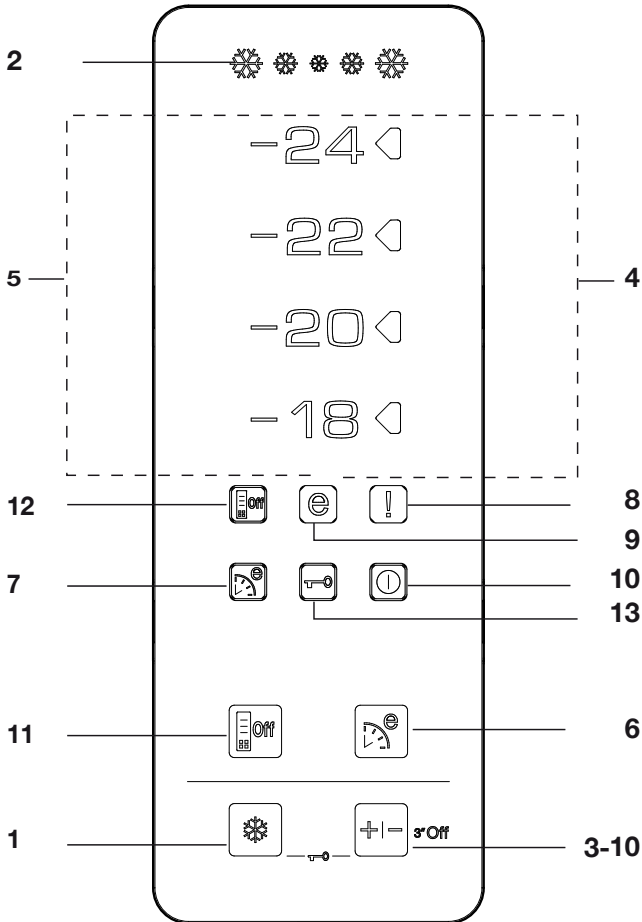


4 Preparation

- i** Your refrigerator should be installed at least 30 cm away from heat sources such as hobs, ovens, central heater and stoves and at least 5 cm away from electrical ovens and should not be located under direct sunlight.
- i** The ambient temperature of the room where you install your refrigerator should at least be 10°C. Operating your refrigerator under cooler conditions than this is not recommended with regard to its efficiency.
- i** Please make sure that the interior of your refrigerator is cleaned thoroughly.
- i** If two refrigerators are to be installed side by side, there should be at least 2 cm distance between them.
- i** When you operate your refrigerator for the first time, please observe the following instructions during the initial six hours.
 - The door should not be opened frequently.
 - It must be operated empty without any food in it.
 - Do not unplug your refrigerator. If a power failure occurs out of your control, please see the warnings in the "Recommended solutions for the problems" section.
- i** Original packaging and foam materials should be kept for future transportations or moving.

5 Using your refrigerator

Indicator Panel



1. Quick Freeze Function:

Quick Freeze indicator turns on when the Quick Freeze function is on. Press QuickFreeze button again to cancel this function. QuickFreeze indicator will turn off and normal settings will be resumed. QuickFreeze function will be cancelled automatically 34 hours later if you do not cancel it manually.

If you want to freeze plenty amount of fresh food, press QuickFreeze button before you place the food into the freezer compartment. If you press the QuickFreeze button repeatedly with short intervals, the electronic circuit protection will be activated and the compressor will not start up immediately.

2. Quick Freeze Indicator

This icon flashes in an animated style when the QuickFreeze function is active.

3. Freezer Set Function:

This function allows you to make the freezer compartment temperature setting. Press this button to set the temperature of the freezer compartment to -18, -20, -22 and -24 respectively.

4. Temperature Setting Indicator

Setting indicator on the right hand side of the temperature value set by Freezer Set Function turns on and the other temperature setting indicators remain off.

5. Temperature Indicators:

-24, -22, -20 and -18 indicators light up continuously.

6. Eco-Fuzzy (Special Economic Usage) Function:

Press Eco-Fuzzy button to activate the Eco Fuzzy Function. Refrigerator will start operating in the most economic mode at least 6 hours later and the economic usage indicator will turn on when the function is active. Press Eco Fuzzy button again to activate the Eco-Fuzzy function.

7. Eco-Fuzzy (Special Economic Usage) Indicator:

This icon lights up when the Eco-Fuzzy Function is active.

8. High Temperature/Error Warning Indicator:

This light comes on during high temperature failures and error warnings.

9. Economic Usage Indicator:

Economic Usage Indicator turns on when the Freezer Compartment is set to -18°C.

10. Freezer Off Function:

Press Freezer Set button for 3 seconds to activate the Freezer Off Function. Refrigerator stops cooling. All indicators except the Freezer Off on the display turn off. Buttons on the display do not function. Press Freezer Set button for 3 seconds to cancel this function.

11-Energy Saving Function

When you press this button, Energy saving icon will light up and Energy Saving Function will be activated. If energy saving function is active, all icons on the display other than energy saving icon will turn off. When the Energy Saving Function is active, if any button is pressed or the door is opened, Energy Saving Function will be exited and the icons on display will return to normal. If you press this button again, Energy Saving icon will turn off and Energy Saving Function will not be active.

12-Energy Saving Indicator

This icon lights up when the Energy Saving Function is selected

13-Key Lock Mode

Press Quick Freeze and Freezer Set buttons concurrently for 3 seconds. Key Lock icon will light up and key lock mode will be activated. Buttons will not function if the Key Lock mode is active. Press Quick Freeze and Freezer Set buttons concurrently for 3 seconds again. Key Lock icon will turn off and the Key Lock mode will be exited.

6 Maintenance and cleaning

- ⚠ Never use gasoline, benzene or similar substances for cleaning purposes.
- ⚠ We recommend that you unplug the appliance before cleaning.
- ⚠ Never use any sharp abrasive instrument, soap, household cleaner, detergent and wax polish for cleaning.
- ℹ Use lukewarm water to clean the cabinet of your refrigerator and wipe it dry.
- ℹ Use a damp cloth wrung out in a solution of one teaspoon of bicarbonate of soda to one pint of water to clean the interior and wipe it dry.
- ⚠ Make sure that no water enters the lamp housing and other electrical items.
- ⚠ If your refrigerator is not going to be used for a long period of time, unplug the power cable, remove all food, clean it and leave the door ajar.
- ℹ Check door seals regularly to ensure they are clean and free from food particles.
- ⚠ To remove door racks, remove all the contents and then simply push the door rack upwards from the base.

Protection of plastic surfaces

- ℹ Do not put the liquid oils or oil-cooked meals in your refrigerator in unsealed containers as they damage the plastic surfaces of your refrigerator. In case of spilling or smearing oil on the plastic surfaces, clean and rinse the relevant part of the surface at once with warm water.

7 Recommended solutions for the problems

Please review this list before calling the service. It might save you time and money. This list includes frequent complaints that are not arising from defective workmanship or material usage. Some of the features described here may not exist in your product.

The refrigerator does not operate.

- Is the refrigerator properly plugged in? Insert the plug to the wall socket.
- Is the fuse of the socket which your refrigerator is connected to or the main fuse blown out? Check the fuse.

Condensation on the side wall of the fridge compartment (MULTIZONE, COOL CONTROL and FLEXI ZONE).

- Very cold ambient conditions. Frequent opening and closing of the door. Highly humid ambient conditions. Storage of food containing liquid in open containers. Leaving the door ajar. Switching the thermostat to a colder degree.
- Decreasing the time the door left open or using it less frequently.
- Covering the food stored in open containers with a suitable material.
- Wipe the condensation using a dry cloth and check if it persists.

Compressor is not running

- Protective thermic of the compressor will blow out during sudden power failures or plug-out plug-ins as the refrigerant pressure in the cooling system of the refrigerator has not been balanced yet. Your refrigerator will start running approximately after 6 minutes. Please call the service if the refrigerator does not startup at the end of this period.
- The fridge is in defrost cycle. This is normal for a full-automatically defrosting refrigerator. Defrosting cycle occurs periodically.
- Your refrigerator is not plugged into the socket. Make sure that the plug is properly fit into the socket.
- Are the temperature adjustments correctly made?
- Power might be cut off.

The fridge is running frequently or for a long time.

- Your new product may be wider than the previous one. This is quite normal. Large refrigerators operate for a longer period of time.
- The ambient room temperature may be high. This is quite normal.
- The refrigerator might have been plugged in recently or might have been loaded with food. Cooling down of the refrigerator completely may last for a couple of hours longer.
- Large amounts of hot food might have been put in the refrigerator recently. Hot food causes longer running of the refrigerator until they reach the safe storage temperature.
- Doors might have been opened frequently or left ajar for a long time. The warm air that has entered into the refrigerator causes the refrigerator to run for longer periods. Open the doors less frequently.
- Freezer or fridge compartment door might have been left ajar. Check if the doors are tightly closed.
- The refrigerator is adjusted to a very low temperature. Adjust the refrigerator temperature to a warmer degree and wait until the temperature is achieved.
- Door seal of the fridge or freezer may be soiled, worn out, broken or not properly seated. Clean or replace the seal. Damaged/broken seal causes the refrigerator to run for a longer period of time in order to maintain the current temperature.

Freezer temperature is very low while the fridge temperature is sufficient.

- The freezer temperature is adjusted to a very low temperature. Adjust the freezer temperature to a warmer degree and check.

Fridge temperature is very low while the freezer temperature is sufficient.

- The fridge temperature might have been adjusted to a very low temperature. Adjust the fridge temperature to a warmer degree and check.

Food kept in the fridge compartment drawers are freezing.

- The fridge temperature might have been adjusted to a very low temperature. Adjust the fridge temperature to a warmer degree and check.

Temperature in the fridge or freezer is very high.

- The fridge temperature might have been adjusted to a very high degree. Fridge adjustment has an effect on the temperature of the freezer. Change the temperature of the fridge or freezer until the fridge or freezer temperature reaches to a sufficient level.
- Doors might have been opened frequently or left ajar for a long time; open them less frequently.
- Door might have been left ajar; close the door completely.
- Large amount of hot food might have been put in the refrigerator recently. Wait until the fridge or freezer reaches the desired temperature.
- The refrigerator might have been plugged in recently. Cooling down of the refrigerator completely takes time.

The operation noise increases when the refrigerator is running.
<ul style="list-style-type: none"> The operating performance of the refrigerator may change due to the changes in the ambient temperature. It is normal and not a fault.
Vibrations or noise.
<ul style="list-style-type: none"> The floor is not even or it is weak. The refrigerator rocks when moved slowly. Make sure that the floor is strong enough to carry the refrigerator, and level. The noise may be caused by the items put onto the refrigerator. Items on top of the refrigerator should be removed.
There are noises coming from the refrigerator like liquid spilling or spraying.
<ul style="list-style-type: none"> Liquid and gas flows happen in accordance with the operating principles of your refrigerator. It is normal and not a fault.
There is a noise like wind blowing.
<ul style="list-style-type: none"> Fans are used in order to cool the refrigerator. It is normal and not a fault.
Condensation on the inner walls of refrigerator.
<ul style="list-style-type: none"> Hot and humid weather increases icing and condensation. It is normal and not a fault. Doors might have been left ajar; make sure that the doors are closed fully. Doors might have been opened frequently or left ajar for a long time; open them less frequently.
Humidity occurs on the outside of the refrigerator or between the doors.
<ul style="list-style-type: none"> There might be humidity in the air; this is quite normal in humid weather. When the humidity is less, condensation will disappear.
Bad odor inside the refrigerator.
<ul style="list-style-type: none"> Inside of the refrigerator must be cleaned. Clean the inside of the refrigerator with a sponge, lukewarm water or carbonated water. Some containers or package materials might cause the smell. Use a different container or different brand packaging material.
The door is not closing.
<ul style="list-style-type: none"> Food packages may prevent the door's closing. Replace the packages that are obstructing the door. The refrigerator is not completely upright on the floor and rocking when slightly moved. Adjust the elevation screws. The floor is not level or strong. Make sure that the floor is level and capable to carry the refrigerator.
Crispers are stuck.
<ul style="list-style-type: none"> The food might be touching the ceiling of the drawer. Rearrange food in the drawer.

Producer: «Arcelik A.S.»

Address: Karaağaç Caddesi No:2-6 Sütlüce, 34445, Turkey

Made in Turkey

Importer in Russia: «BEKO LLC»

Address: 601010, Vladimirskaja oblast, Kirjach region, factory «BEKO»

The manufacture date is included in the serial number of a product specified on rating label, which is located on a product, namely: first two figures of serial number indicate the year of manufacture, and last two – the month. For example, "10-100001-05» indicates that the product was produced in May, 2010.

You can ask for certification number from our Call Center 8-800-200-23-56

Обязательно прочтите данное руководство!

Уважаемый покупатель!

Надеемся, что наше изделие, изготовленное на современном оборудовании, и прошедшее тщательный контроль качества, будет надежно служить вам.

Поэтому, прежде чем пользоваться прибором, рекомендуем внимательно изучить данное руководство и всегда держать его под рукой в качестве справочника.




Данное руководство

- Поможет вам быстро освоить этот прибор и безопасно им пользоваться.
- Прежде чем устанавливать прибор и пользоваться им, прочтите это руководство.
- Соблюдайте инструкции, в особенности, правила техники безопасности.
- Храните это руководство в легкодоступном месте, так как оно может понадобиться вам в будущем.
- Ознакомьтесь со всеми остальными документами, которые прилагаются к прибору.

Учтите, что данное руководство по эксплуатации может применяться и для других моделей.

Условные обозначения

В данном руководстве по эксплуатации используются следующие условные обозначения:

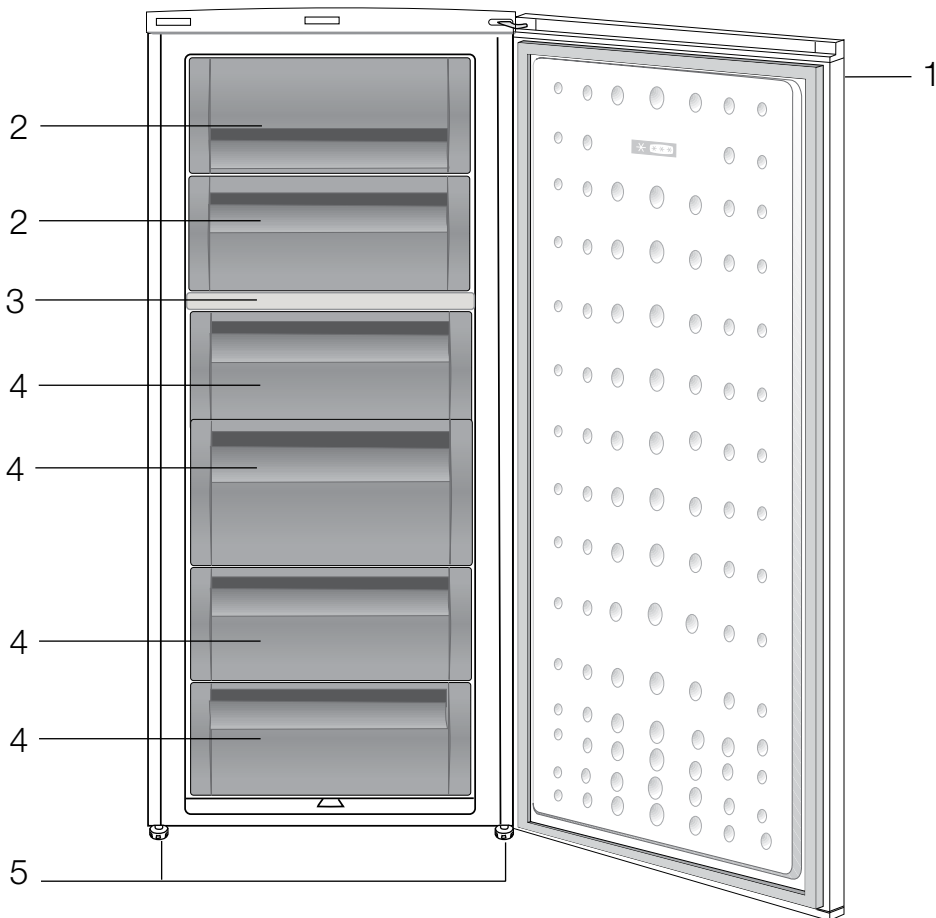
-  Важная информация или полезные советы по эксплуатации.
-  Предупреждение об опасности для жизни и имущества.
-  Предупреждение об опасном электрическом напряжении.

воздействия на окружающую среду. За дополнительной информацией обратитесь к региональным органам власти. Электронная техника, не включенная в процесс избирательной сортировки отходов, представляет потенциальную опасность для окружающей среды и здоровья людей из-за наличия в ней опасных веществ.

СОДЕРЖАНИЕ

1 Описание морозильника	3	4 Подготовка	10
2 Важные указания по технике безопасности	4	5 Эксплуатация морозильника	11
Использование по назначению	4	Панель индикаторов	11
Для изделий с раздатчиком охлажденной воды:	6	6 Обслуживание и чистка	14
Безопасность детей	6	Защита пластмассовых поверхностей	14
Предупреждение органов здравоохранения	6	7 Рекомендации по устранению неисправностей	15
Рекомендации по экономии электроэнергии.....	7		
Технические характеристики морозильника	7		
3 Установка	8		
Правила транспортировки холодильника	8		
Подготовка к эксплуатации	8		
Утилизация упаковки	9		
Выбрасывание старого холодильника	9		
Выбор места и установка.....	9		
Регулирование ножек.....	9		

1 Описание морозильника



1. Панель управления
2. Клапан (камера быстрого замораживания)
3. Лоток и полка для льда
4. Выдвижные ящики
5. Регулируемые передние ножки

i Иллюстрации в данной инструкции являются схематичными и могут не соответствовать вашей модели. Некоторые компоненты, которые не входят в состав приобретенного вами изделия, используются в других моделях.

2 Важные указания по технике безопасности

Обязательно ознакомьтесь со следующей информацией. Игнорирование данной информации может привести к причинению травм или повреждению имущества. Кроме того, гарантийные обязательства и обязательства по эксплуатационной надёжности утратят силу.

Срок службы приобретенного вами изделия составляет 10 лет. Это срок, в течение которого предоставляются запасные части, необходимые для нормальной работы изделия.

Использование по назначению

Это изделие предназначено для использования

- в помещении и на закрытых пространствах, например, в доме;
 - в закрытых рабочих помещениях, например, в магазинах и офисах;
 - в закрытых жилых помещениях, например, в загородных домах, гостиницах, пансионатах.
- Это изделие предназначено для использования только в помещении.

Общие правила техники безопасности

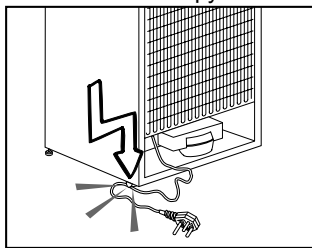
- В случае необходимости утилизировать или уничтожить изделие для получения необходимой информации рекомендуется обратиться в фирменный сервисный центр, а также в местные органы власти.
- По всем вопросам, касающимся холодильника, обращайтесь в фирменный сервисный центр. Не вмешивайтесь в работу изделия и не разрешайте этого другим без уведомления фирменного сервисного центра.

- Для изделий с морозильным отделением: не ешьте мороженое в рожках и кубики льда сразу после их извлечения из морозильного отделения! (Это может вызвать обморожение полости рта.)
- Для изделий с морозильным отделением: не помещайте напитки в бутылках и банках в морозильное отделение. Они могут лопнуть.
- Не дотрагивайтесь до замороженных продуктов – они могут примерзнуть к рукам.
- Отключайте холодильник от сети перед чисткой или размораживанием.
- Ни в коем случае не используйте для чистки и размораживания холодильника пар или аэрозольные чистящие средства. В этом случае пар может попасть на электрические компоненты, что приведет к короткому замыканию или поражению электрическим током.
- Ни в коем случае не используйте холодильник или его части (например, дверцу) в качестве подставки или опоры.
- Не используйте электрические приборы внутри холодильника.
- Не допускайте повреждения частей, в которых циркулирует хладагент, используя режущие или сверлильные инструменты. Хладагент может вырваться из пробитого испарителя, трубопроводов или покрытый поверхности и вызвать раздражение кожи и поражение глаз.
- Ни в коем случае не закрывайте и не закупоривайте вентиляционные отверстия холодильника.
- Ремонт электрического оборудования должен производить только квалифицированные специалисты. Ремонт, выполненный некомпетентными лицами, может создать опасность для потребителя.

- В случае неполадок во время эксплуатации, а также при проведении техобслуживания или ремонта отключите холодильник, выключив соответствующий предохранитель или вынув шнур питания из розетки.
- Не тяните за сетевой шнур, вынимая вилку из розетки.
- Крепкие спиртные напитки следует хранить в плотно закрытом виде и вертикальном положении.
- Нельзя хранить в холодильнике банки с горючими и взрывоопасными веществами.
- Для ускорения процесса размораживания не используйте механические устройства или другие средства, кроме тех, которые рекомендованы производителем.
- Данный электроприбор не предназначен для использования лицами (включая детей) с ограниченными физическими, сенсорными и интеллектуальными возможностями либо не имеющими опыта и знаний. Они могут пользоваться электроприбором только под наблюдением лица, ответственного за их безопасность, или под его руководством.
- Ни в коем случае нельзя пользоваться неисправным холодильником. При возникновении вопросом обращайтесь к квалифицированному специалисту.
- Электрическая безопасность гарантируется только в том случае, если система заземления в вашем доме соответствует стандартам.
- Воздействие на устройство дождя, снега, солнца или ветра опасно с точки зрения электробезопасности.
- В случае повреждения шнура питания и т.п. обратитесь в фирменный сервисный центр, чтобы не подвергать себя опасности.
- Ни в коем случае нельзя включать

холодильник в розетку во время установки. Это может привести к серьезным травмам или смерти.

- Этот холодильник предназначен только для хранения пищевых продуктов. Его нельзя использовать для каких-либо иных целей.
- Табличка с техническими характеристиками находится слева на внутренней стенке холодильника.
- Ни в коем случае нельзя подключать холодильник к электронным системам экономии электроэнергии, поскольку это может привести к его поломке.
- При наличии в холодильнике синей подсветки не смотрите на нее через оптические устройства.
- При отключении от сети электропитания холодильника с ручным управлением подождите не менее 5 минут, прежде чем подключать его снова.
- В случае продажи изделия эту инструкцию по эксплуатации следует передать новому владельцу.
- При транспортировке холодильника избегайте повреждения шнура питания. Изгибание шнура питания может привести к возгоранию. Не ставьте на него тяжелые предметы. При подключении холодильника к сети электропитания не прикасайтесь к вилке влажными руками.



- Ни в коем случае нельзя подключать холодильник к плохо закрепленной стеной розетке сети электропитания.
- Из соображений безопасности не допускайте попадания воды на внешние или внутренние части

холодильника.

- Не распыляйте рядом с холодильником воспламеняющиеся газы, такие как газ пропан, ввиду риска пожара или взрыва.
- Не ставьте сосуды с водой на холодильник, поскольку это может привести к поражению электрическим током или пожару.
- Не загружайте холодильник продуктами сверх меры. Если холодильник перегружен, продукты могут выпасть при открытии дверцы и травмировать вас или повредить холодильник. Не кладите предметы на холодильник, поскольку они могут упасть при открытии или закрытии дверцы.
- В холодильнике нельзя хранить вещества, требующие определенных температурных условий, такие как вакцины, термочувствительные медикаменты, материалы для научных исследований и т.п.
- Холодильник следует отключить от электросети, если он не будет использоваться в течение длительного времени. Неисправность шнура питания может привести к возгоранию.
- Необходимо регулярно очищать концы вилки шнура электропитания; несоблюдение этого условия может привести к пожару.
- Необходимо регулярно очищать контакты вилки шнура питания сухой тканью. Несоблюдение этого правила может привести к пожару.
- Холодильник может сместиться, если регулируемые ножки не зафиксированы на полу. Фиксирование регулируемых ножек на полу предотвратит смещение холодильника.
- При перемещении холодильника не держите его за ручку. В противном случае он может сломаться.
- При установке холодильника расстояние между ним и другим

холодильником или морозильником должно составлять минимум 8 см. В противном случае боковые прилегающие стенки будут увлажняться.

Для изделий с раздатчиком охлажденной воды:

Давление в водопроводной линии не должно быть ниже 1 бара. Давление в водопроводной линии не должно быть выше 8 бар.

- Используйте только питьевую воду.

Безопасность детей

- Если на дверце есть замок, ключ следует хранить в недоступном для детей месте.
- Следует присматривать за детьми и не разрешать им портить холодильник.

Предупреждение органов здравоохранения

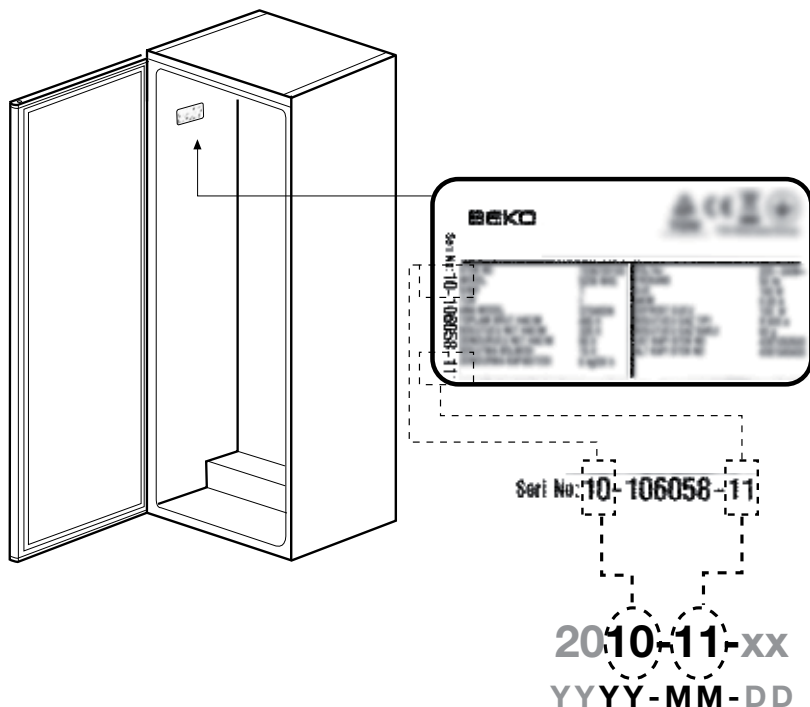
Если система охлаждения вашего изделия содержит R600a:

Этот газ огнеопасен, поэтому будьте осторожны, чтобы не повредить систему охлаждения и трубопроводы при эксплуатации и во время транспортировки. В случае повреждения уберите устройство подальше от потенциальных источников огня, которые могут привести к возгоранию, а также проветривайте помещение, в котором находится устройство.

Не обращайте внимания на предупреждение, если система охлаждения вашего изделия содержит R134a.

Тип газа, используемого изделием, указан на паспортной табличке, расположенной слева на внутренней стенке холодильника.

Не сжигайте изделие в целях утилизации.



Рекомендации по экономии электроэнергии

- Не оставляйте дверцу холодильника открытой на длительное время.
- Не кладите в холодильник горячие продукты или напитки.
- Не перегружайте холодильник, чтобы не нарушать циркуляцию воздуха.
- Не устанавливайте холодильник в местах, где на него попадают прямые солнечные лучи, или поблизости от источников тепла, таких как плита, посудомоечная машина или радиатор отопления.
- Следите за тем, чтобы контейнеры с продуктами были закрыты.
- Для изделий с морозильным отделением: в морозильное отделение холодильника можно заложить максимальное количество продуктов, если достать из него полку или ящик. Указанное в технических характеристиках энергопотребление холодильника определено при условии, что полка или ящик морозильного отделения извлечены, и в него загружено максимально возможное количество продуктов. Полку и ящик можно использовать для замораживания продуктов в соответствии с их формой и размером.
- Таяние замороженных продуктов в холодильном отделении обеспечит экономию электроэнергии и сохранение качества продуктов.

Технические характеристики морозильника	
Класс энергетической эффективности	A
Класс защиты	1

3 Установка

- И** Учтите, что при несоблюдении указаний, приведенных в данном руководстве, изготовитель снимает с себя всякую ответственность.

Правила транспортировки холодильника

1. Перед транспортировкой следует вынуть из холодильника все продукты и вымыть его.
2. Перед упаковкой следует надежно закрепить все полки, оборудование, контейнеры для овощей и фруктов и т.п. при помощи клейкой ленты, чтобы предохранить их от тряски.
3. Холодильник следует обвязать лентами из плотного материала и прочными веревками. При транспортировке следует придерживаться правил, напечатанных на упаковке.

Не забывайте о том, что...

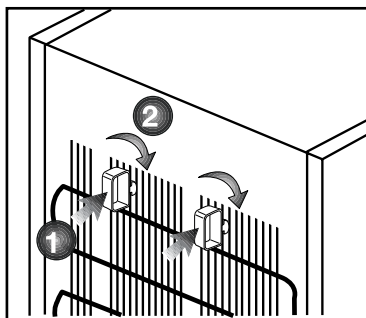
Вторичное использование материалов очень важно для сохранения природы и наших национальных богатств.

Если вы решите сдать упаковочные материалы на переработку, обратитесь за подробной информацией в организации по охране окружающей среды или в местные органы власти.

Подготовка к эксплуатации

Перед началом эксплуатации холодильника выполните следующие действия.

1. Убедитесь, что внутри холодильника сухо, и воздух может свободно циркулировать позади холодильника.
2. Установите два пластмассовых упора, как показано на рисунке. Пластмассовые упоры обеспечат зазор между холодильником и стеной, необходимый для надлежащей циркуляции воздуха. (Рисунок приведен только для



иллюстрации и не является изображением конкретной модели.)

3. Выполните чистку холодильника в соответствии с рекомендациями, приведенными в разделе «Обслуживание и чистка».
4. Включите холодильник в розетку электрической сети. При открытии двери холодильника включается внутреннее освещение.
5. Когда начнет работать компрессор, будет слышен шум. Жидкость и газы, находящиеся внутри герметичной системы охлаждения, также могут создавать шум, независимо от того, работает компрессор или нет, что является вполне нормальным явлением.
6. Передние края холодильника могут казаться теплыми. Это нормально. Нагрев этих участков предусмотрен для предупреждения конденсации.

Подключение к электрической сети

Подсоедините холодильник к заземленной розетке с предохранителем соответствующего номинала.

Важное замечание

- Подключение следует выполнять в соответствии с местными нормами и правилами.

- Место подключения шнура питания к розетке должно быть легкодоступным.
- Напряжение в электрической сети должно соответствовать данным, указанным в характеристиках холодильника.
- Запрещается использовать при установке удлинители и многоместные розетки.

⚠ Замену поврежденного шнура питания должен выполнять квалифицированный электрик.

⚠ Запрещается пользоваться неисправным электроприбором! Это может привести к поражению электрическим током.

Утилизация упаковки

Упаковочные материалы могут быть опасны для детей. Храните упаковочные материалы в недоступном для детей месте или выбросьте их, рассортировав в соответствии с правилами сбора отходов. Не выбрасывайте их вместе с обычными бытовыми отходами.

Упаковка холодильника изготовлена из материалов, подлежащих вторичной переработке.

Выбрасывание старого холодильника

Если нужно избавиться от старого холодильника, это следует делать без вреда окружающей среды.

- Сведения о том, как выбросить прибор, можно получить у официального дилера или в пункте сбора отходов по месту жительства.

Перед тем, как выбросить холодильник, следует отрезать шнур питания и сломать замки на дверях (при наличии), чтобы предотвратить опасные ситуации для детей.

Выбор места и установка

⚠ Если дверь помещения, в котором будет установлен холодильник,

недостаточно широка, можно снять двери холодильника и внести его в проем боком. Чтобы снять двери холодильника, обратитесь в фирменный сервисный центр.

1. Холодильник следует устанавливать в удобном для использования месте.
2. Холодильник следует устанавливать в местах, защищенных от прямых солнечных лучей, вдали от источников тепла и повышенной влажности.
3. Чтобы холодильник работал эффективно, в месте его установки должна быть соответствующая циркуляция воздуха. При установке холодильника в нише расстояние до потолка и стен должно быть не менее 5 см. **При установке на ковровое покрытие следует приподнять холодильник на 2,5 см от пола.**

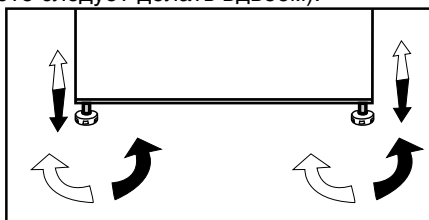
4. Холодильник следует устанавливать на ровную поверхность во избежание вибрации.

5. Температура в помещении, где находится холодильник, должна быть не ниже 10°C.

Регулирование ножек

Если морозильник стоит неустойчиво:

Чтобы морозильник стоял устойчиво, можно отрегулировать его положение, поворачивая передние ножки, как показано на рисунке. Если повернуть ножку в направлении черной стрелки, то угол морозильника, под которым она находится, опустится, а если повернуть ее в противоположном направлении – поднимется. Чтобы облегчить процедуру регулирования, можно слегка приподнять морозильник (это следует делать вдвоем).



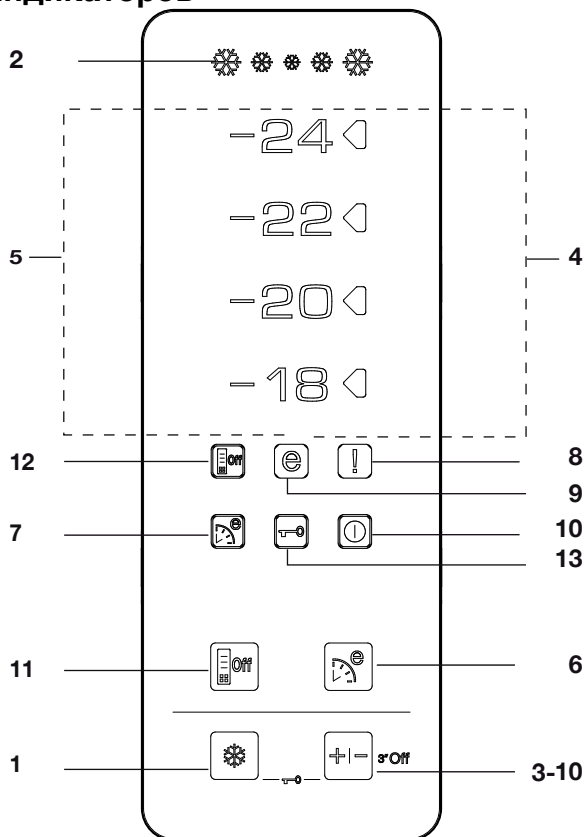
4 Подготовка

- i** Ваш морозильник следует установить, по крайней мере, в 30 см от источников тепла, таких как газовые конфорки, плиты, батареи центрального отопления и печи, и, по крайней мере, в 5 см от электрических плит, в месте, куда не попадает прямой солнечный свет.
- i** Температура воздуха в помещении, где устанавливается морозильник, должна быть не менее 10°C. Использовать морозильник при более низкой температуре не рекомендуется в связи с его низкой эффективностью в таких условиях.
- i** Содержите внутреннее пространство морозильника в чистоте.
- i** Если два морозильника устанавливаются рядом, то между ними должно быть расстояние не менее 2 см.
- i** При первом включении морозильника просим соблюдать следующие инструкции во время первых шести часов работы.

 - Не открывайте дверцу слишком часто.
 - Не загружайте в морозильник продукты.
 - Не отключайте морозильник от электрической сети. Если произошло отключение электроэнергии не по вашей вине, см. указания в разделе «Рекомендации по устранению неполадок».
- i** Оригинальную упаковку и пленку следует сохранить для последующей транспортировки или перевозки изделия.

5 Эксплуатация морозильника

Панель индикаторов



1. Функция быстрого замораживания

Индикатор функции быстрого замораживания загорается, когда эта функция активна. Для отмены этой функции снова нажмите кнопку быстрого замораживания. Индикатор функции быстрого замораживания погаснет, и будут восстановлены обычные функции. Функция быстрого замораживания будет автоматически отключена через 34 часа, если вы не отключите ее вручную. Чтобы заморозить значительное количество

свежих продуктов, нажмите кнопку быстрого замораживания до того, как положить продукты в камеру морозильника. Если нажать кнопку быстрого замораживания несколько раз с короткими промежутками, то компрессор сразу не включится, поскольку активируется электронная система защиты.

2. Индикатор быстрого замораживания

Эта пиктограмма мигает как анимированное изображение, когда включена функция быстрого замораживания.

3. Функция настройки морозильника

С помощью этой функции можно устанавливать температуру в морозильном отделении. Нажимайте эту кнопку, чтобы установить в морозильном отделении температуру -18, -20, -22, -24 соответственно.

4. Индикатор настройки температуры

Индикатор настройки температуры, расположенный справа от значения температуры, установленной функцией настройки морозильника, включается, а другие индикаторы настройки температуры остаются выключенными.

5. Индикаторы температуры:

Индикаторы -24, -22, -20 и -18 горят непрерывно.

6. Функция Eco-Fuzzy (экономия с нечетким алгоритмом)

Нажмите кнопку Eco-Fuzzy, чтобы активировать функцию Eco Fuzzy. Если эта функция активна, морозильник будет работать в максимально экономичном режиме на протяжении не менее 6 часов, а также включится индикатор экономичной эксплуатации. Еще раз нажмите кнопку Eco-Fuzzy, чтобы активировать функцию Eco Fuzzy.

7. Индикатор режима Eco-Fuzzy (экономия с нечетким алгоритмом)

Эта пиктограмма загорается, когда активна функция Eco-Fuzzy.

8. Индикатор повышенной температуры / предупреждения об ошибке

Этот индикатор загорается при повышениях температуры и предупреждениях об ошибках.

9. Индикатор экономичного режима

Индикатор экономичного режима включается, когда температура в морозильном отделении установлена на -18°C.

10. Функция выключения морозильника

Нажмите кнопку настройки морозильника на 3 секунды, чтобы активировать функцию отключения морозильника. Морозильник перестает охлаждаться. Все индикаторы на дисплее, кроме Freezer Off гаснут. Кнопки на дисплее не работают. Для отмены этой функции снова нажмите кнопку настройки морозильника на 3 секунды.

11. Функция энергосбережения

При нажатии этой кнопки активируется функция энергосбережения и загорается индикатор функции энергосбережения. При активированной функции энергосбережения на дисплее светится только индикатор функции энергосбережения, а все остальные индикаторы гаснут. Если при активированной функции энергосбережения нажать какую-либо кнопку или открыть дверцу, панель управления переходит в обычный режим работы, а индикация на дисплее восстанавливается. При повторном нажатии этой кнопки индикатор функции энергосбережения погаснет и функция энергосбережения деактивируется.

12. Индикатор функции энергосбережения

Этот индикатор загорается при выборе функции энергосбережения.

13. Режим блокировки кнопок

Одновременно нажмите кнопку быстрого замораживания и кнопку регулятора температуры в морозильной камере и не отпускайте их 3 секунды. При этом на дисплее появится индикатор блокировки кнопок, и включится режим блокировки кнопок. В режиме блокировки кнопок кнопки панели управления не действуют. Повторно одновременно нажмите кнопку быстрого замораживания и кнопку регулятора температуры в морозильной камере и не отпускайте их 3 секунды. При этом на дисплее погаснет индикатор блокировки кнопок, и выключится режим блокировки кнопок.

6 Обслуживание и чистка

- ⚠ Ни в коем случае не используйте для чистки бензин, бензол или подобные вещества.
- ⚠ Перед чисткой рекомендуется отсоединить прибор от электросети.
- ⚠ Ни в коем случае не используйте для чистки острые или абразивные инструменты, мыло, бытовые чистящие средства, стиральные порошки и восковую политуру.
- ℹ Корпус изделия промойте теплой водой и затем вытрите насухо.
- ℹ Протрите внутреннюю поверхность морозильника хорошо отжатой тканью, смоченной в растворе питьевой соды (1 чайная ложка на пол-литра воды), и вытрите насухо.
- ⚠ Не допускайте попадания воды в отсек с лампочкой, а также на другие электрические компоненты.
- ⚠ Если морозильник не будет использоваться длительное время, отключите шнур питания от электрической сети, выньте все продукты, выполните чистку и оставьте дверцу приоткрытой.
- ℹ Регулярно проверяйте, не испачкан ли уплотнитель дверцы частицами пищи.
- ℹ Для снятия полок в дверце полностью разгрузите их, а затем просто приподнимите вверх.

Защита пластмассовых поверхностей

- ℹ Не храните жидкое растительное масло или продукты, приготовленные на растительном масле, в морозильной камере в открытых контейнерах, так как растительное масло может повредить пластмассовые поверхности. Если же масло протекло или попало на пластмассовую поверхность, сразу же очистите и промойте это место теплой водой.

7 Рекомендации по устранению неисправностей

Прежде чем обращаться в сервисный центр, просмотрите этот раздел. Это позволит сэкономить время и деньги. Ниже перечислены часто возникающие проблемы, причиной которых не являются дефекты производства или материалов. Некоторые из описанных здесь функций могут отсутствовать в вашей модели морозильника.

Морозильник не работает.

- Возможно, морозильник не подключен к электрической сети. Вставьте вилку в розетку электрической сети.
- Возможно, перегорел предохранитель розетки, в которую включен морозильник, или главный предохранитель. Проверьте предохранитель.

Конденсация на боковой стенке морозильного отделения (MULTI ZONE, COOL CONTROL и FLEXI ZONE).

- Очень низкая температура в помещении. Частое открывание и закрывание дверцы. Очень высокая влажность в помещении. Хранение продуктов, содержащих жидкость, в открытой посуде. Дверца неплотно закрыта. Переключите термостат на более низкую температуру.
- Сократите периоды, когда дверца остается открытой, или открывайте ее реже.
- Накройте подходящим материалом продукты в открытой посуде.
- Вытрите конденсат сухой тканью и проверьте, не образуется ли он снова.

Не работает компрессор

- Термозащита компрессора может сработать при неожиданных отключениях энергоснабжения либо при выключении-включении прибора, поскольку давление хладагента в системе охлаждения не успевает стабилизироваться. Морозильник начнет работать примерно через 6 минут. Если по истечении этого времени морозильник не заработал, обратитесь в сервисный центр.
- Морозильник находится в режиме размораживания. Это нормально для морозильника с автоматическим размораживанием. Размораживание выполняется регулярно.
- Морозильник не включен в розетку электрической сети. Убедитесь, что вилка должным образом включена в розетку.
- Возможно, неправильно отрегулирована температура.
- Возможно, отключена подача электроэнергии.

<p>Морозильник включается слишком часто или работает слишком долго.</p>
<ul style="list-style-type: none"> • Ваш новый морозильник может быть больше, чем предыдущий. Это вполне нормально. большие морозильники работают в течение более длительных периодов времени. • Возможно, температура в помещении повышена. Это вполне нормально. • Возможно, морозильник был недавно включен или только что загружен продуктами. Полное охлаждение морозильника может продолжаться на несколько часов дольше. • Возможно, в морозильник недавно поместили большое количество горячих продуктов. Из-за наличия горячих продуктов морозильник будет работать дольше, чтобы достичь нужной температуры хранения. • Возможно, дверцы часто открываются либо остаются приоткрытыми в течение длительного времени. При попадании в морозильник теплого воздуха, он будет работать дольше. Открывайте дверцы реже. • Неплотно закрыта дверца морозильного или морозильного отделения. Проверьте, плотно ли закрыты дверцы. • Морозильник отрегулирован на очень низкую температуру. Установите в морозильнике более высокую температуру и подождите, пока установленная температура не будет достигнута. • Возможно, уплотнитель дверцы морозильного или морозильного отделения загрязнен, изношен, разорван или неправильно установлен. Почистите или замените уплотнитель. Из-за поврежденного или разорванного уплотнителя морозильник будет работать дольше, чтобы поддерживать заданную температуру.
<p>Температура в морозильном отделении слишком низкая, а температура в холодильном отделении достаточная.</p>
<ul style="list-style-type: none"> • Задан очень низкий уровень температуры в морозильном отделении. Установите в морозильном отделении более высокую температуру и проверьте результат.
<p>Температура морозильного отделения очень низкая, а температура в морозильном отделении достаточная.</p>
<ul style="list-style-type: none"> • Возможно, температура морозильного отделения отрегулирована на очень низкое значение. Установите в холодильном отделении более высокую температуру и проверьте результат.
<p>Продукты в выдвижных контейнерах морозильного отделения замерзают.</p>
<ul style="list-style-type: none"> • Возможно, температура морозильного отделения отрегулирована на очень низкое значение. Установите в холодильном отделении более высокую температуру и проверьте результат.

Температура в холодильном и морозильном отделении слишком высокая.
<ul style="list-style-type: none"> • Возможно, температура морозильного отделения отрегулирована на очень высокое значение. Температура в холодильном отделении влияет на температуру в морозильном отделении. Изменяйте температуру в холодильном или морозильном отделении, пока не будет достигнут нужный уровень температуры. • Возможно, дверцы часто открываются либо были приоткрыты в течение длительного времени. Открывайте их реже. • Возможно, дверца морозильника приоткрыта; закройте ее полностью. • Возможно, в морозильник недавно поместили большое количество горячих продуктов. Подождите, пока в холодильном или морозильном отделении будет достигнута нужная температура. • Возможно, морозильник был недавно включен в сеть. На полное охлаждение морозильника потребует некоторое время.
В процессе работы морозильника уровень шума повышается.
<ul style="list-style-type: none"> • Рабочие характеристики изделия могут изменяться в зависимости от изменений температуры окружающей среды. Это нормально и не является неисправностью.
Вибрация или шум.
<ul style="list-style-type: none"> • Пол неровный или нежесткий. Морозильник медленно перемещается и при этом дрожит. Убедитесь в том, что пол ровный и достаточно прочный, чтобы выдержать вес морозильника. • Источником шума могут быть предметы, лежащие наверху морозильника. Посторонние предметы следует убрать с морозильника.
Из морозильника доносится шум льющейся или разбрызгивающейся жидкости.
<ul style="list-style-type: none"> • Расход жидкости и газа изменяется в соответствии с принципами работы морозильника. Это нормально и не является неисправностью.
Слышен шум, похожий на шум ветра.
<ul style="list-style-type: none"> • Для охлаждения морозильника используются вентиляторы. Это нормально и не является неисправностью.
Конденсация влаги на внутренних стенках морозильника.
<ul style="list-style-type: none"> • Жаркая и влажная погода способствует образованию льда и конденсации влаги. Это нормально и не является неисправностью. • Возможно, дверцы морозильника приоткрыты. Убедитесь, что они полностью закрыты. • Возможно, дверцы часто открываются либо были приоткрыты в течение длительного времени. Открывайте их реже.
Появление влаги снаружи морозильника или между дверцами.
<ul style="list-style-type: none"> • Возможно, в воздух много влаги. Это вполне нормально при влажной погоде. Когда влажность уменьшится, конденсация исчезнет.

Неприятный запах внутри морозильника.

- Следует очистить морозильник внутри. Протрите морозильник внутри губкой, смоченной в теплой воде или в газированной воде.
- Некоторые контейнеры или упаковочные материалы также могут быть источником запаха. Используйте другой контейнер или упаковочный материал другой марки.

Дверца не закрывается.

- Упаковки продуктов могут препятствовать закрыванию дверцы. Переместите упакованные продукты, препятствующие закрытию дверцы.
- Морозильник стоит не совсем вертикально, это может вызвать дрожание даже при незначительном перемещении. Отрегулируйте винты регулировки высоты.
- Пол неровный или нежесткий. Пол должен быть ровным и выдерживать вес морозильника.

Контейнеры для фруктов и овощей прилипли.

- Возможно, продукты касаются верхней части контейнера. Переместите продукты в контейнере.

Изготовитель: «Arcelik A.S.» Юридический адрес: Караач Джаддеси № 2-6 34445
Сютлюдже Стамбул, Турция (Karaağaç Caddesi No:2-6 Sütlüce, 34445, Turkey)

Произведено в Турции

Импортер на территории РФ: ООО «БЕКО» Юридический адрес: 601010, Владимирская
область, Киржачский район, завод «БЕКО»

Информацию о сертификации продукта Вы можете уточнить, позвонив на горячую
линию 8-800-200-23-56.

Дата производства включена в серийный номер продукта, указанный на этикетке,
расположенной на продукте, а именно: первые две цифры серийного номера
обозначают год производства, а последние две – месяц. Например, "10-100001-05"
обозначает, что продукт произведен в мае 2010 года.

